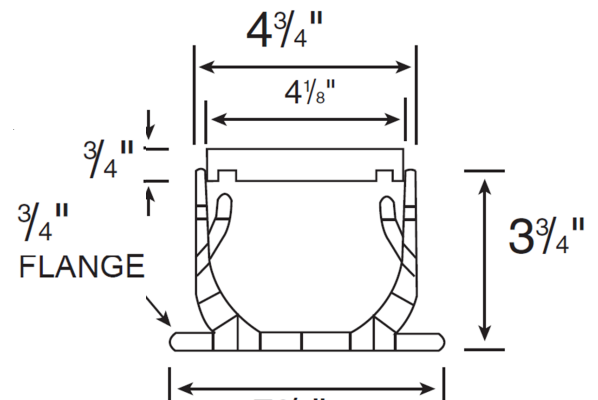
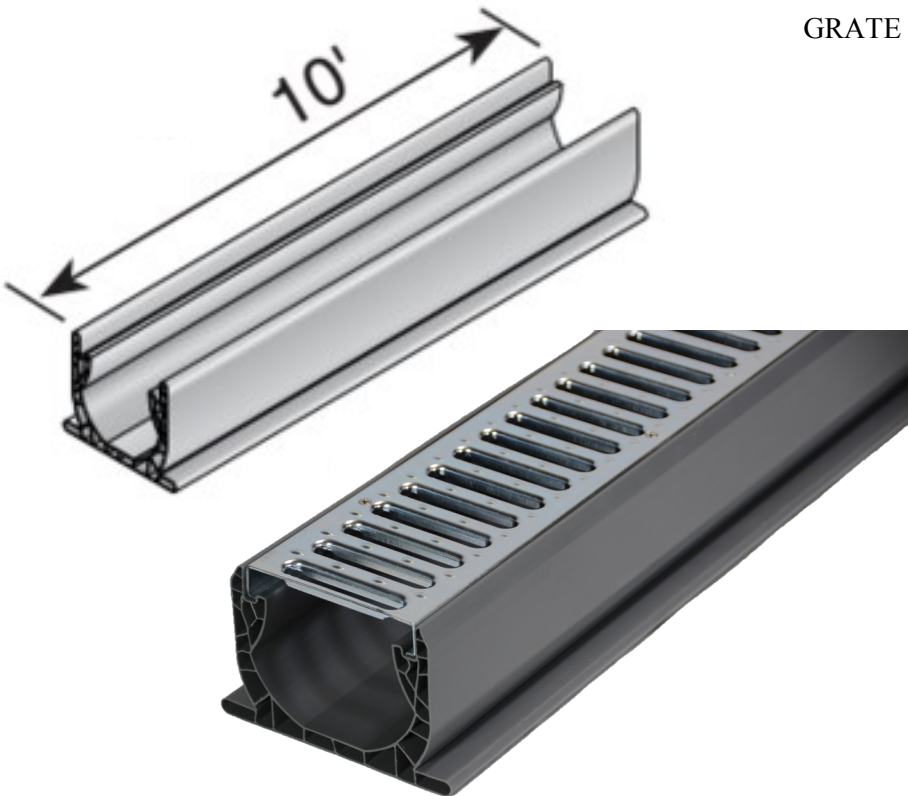


## Spee-D Channel with Galvanized Metal Grate

GRATE SLOT



Part #: 400-10MTL  
 Channel Material: PVC  
 Grate Material: Galvanized Steel  
 Color: Channel Gray  
 Grate: Galvanized Steel  
 UV Inhibitors  
 Weight: 20.5 lbs  
 Grate opening: 0.45" x 2.85"  
 Open Surface Area: 16.1 sq. in. per ft.  
 Flow Capacity: 49.25 GPM with 0.5" head  
 69.65 GPM with 1" head

Screw: 4 x #829 Stainless steel screw per grate (#6 x 1-1/4" Philips flat head)

Kit: 1 x 10' section of channel  
 5 x 2' Galvanized grates



### Class B

- Loads of 61-175 psi.
- Recommended for medium-duty pneumatic tire traffic, autos and light trucks at speeds less than 20 m.p.h.

**Note:** Some installations may require a concrete collar to meet load rating. Loads are based on encasing product in concrete. Product must be installed using NDS instructions.

### ADA Compliance

NDS provides a wide selection of grates that are compliant with the Americans with Disabilities Act. The ADA Accessibility Guidelines For Buildings and Facilities Section 4.5.4 specifies that ground and floor grates "shall have spaces no greater than 1/2 in (13 mm) wide in one direction."

We are pleased to provide grates that comply with these requirements, so that no individual need be limited from accessing the area safely and confidently.

To see if a grate is ADA compliant, please check the description of the product in our NDS Drainage Catalog: products that meet these requirements are marked "ADA compliant."

Like to find out more about ADA compliance and NDS? Send us your question and we'd be happy to help.

