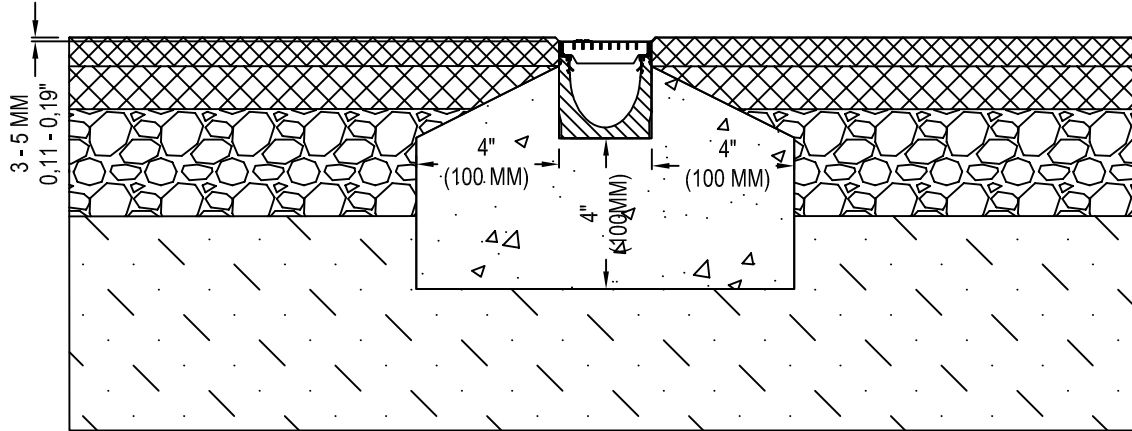




NDS[®]
We put water in its place

NDS, INC.
851 N. HARVARD AVE.
LINDSAY, CA 93247
TOLL FREE: 1-800-726-1994
PHONE: (559) 562-9888
FAX: (559) 562-4488
www.ndspro.com



SECTION

SPECIFICATIONS

FILCOTEN TEC-V NW100 - LOAD CLASS B

GENERAL

THE SURFACE DRAINAGE SYSTEM SHALL BE FILCOTEN FIBER COMPOSITE NW100 CHANNEL SYSTEM WITH CONCRETED EDGE MADE OF GALVANIZED STEEL RAILS AS MANUFACTURED BY BG GRASPOINTNER, INC AND DISTRIBUTED BY HYDRO BG USA INC., A WHOLLY OWNED SUBSIDIARY.

MATERIALS

CHANNELS SHALL BE MANUFACTURED FROM FILCOTEN FIBER COMPOSITE WITH CONCRETED EDGE GALVANIZED STEEL RAIL. MINIMUM PROPERTIES OF FILCOTEN FIBER COMPOSITE WILL BE AS FOLLOWS:

COMPRESSIVE STRENGTH:	11,700 PSI
FLEXURAL STRENGTH:	1,700 PSI
FREE OF RELEASE AGENTS:	YES
WATER ABSORPTION SUFFICIENT FOR ADHESION WITH CONCRETE SURFACES:	YES
NON FLAMMABLE:	YES
U/V RESISTANT:	YES
RECYCLABLE 100%:	YES
DILUTE ACID AND ALKALI RESISTANT:	YES
FROST THAW SALT TESTED AS PER EN1433 WITH A TEST TEMPERATURE UP TO -40°C (-40°F):	YES
MATERIAL FREE OF VOC, BIOCIDES, HEAVY METALS:	YES

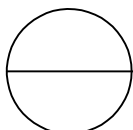
THE SYSTEM SHALL BE 4" (100MM) NOMINAL INTERNAL WIDTH WITH 5.31" UP TO 7.28" (135MM UP TO 185MM) OVERALL WIDTH AND A BUILD-IN SLOPE OF 0.5% AND STEPPED SLOPE SYSTEM. ALL CHANNELS ARE EQUIPPED WITH INTERLOCKING CONNECTION MALE/FEMALE AND SEALANT JOINT.

THE COMPLETE DRAINAGE SYSTEM SHALL BE BY HYDRO BG USA, INC. ANY DEVIATION OR PARTIAL SYSTEM DESIGN AND/OR IMPROPER INSTALLATION WILL VOID ANY AND ALL WARRANTIES PROVIDED BY HYDRO BG USA, INC.

CHANNEL SHALL WITHSTAND LOADING TO PROPER LOAD CLASS AS OUTLINED BY EN 1433. GRATE TYPE SHALL BE APPROPRIATE TO MEET THE SYSTEM LOAD CLASS SPECIFIED AND INTENDED APPLICATION. GRATES SHALL BE SECURED USING 4-POINT BOLTING LOCKING SYSTEM. CHANNEL AND GRATE SHALL BE CERTIFIED TO MEET THE SPECIFIED EN 1433 LOAD CLASS. THE SYSTEM SHALL BE INSTALLED IN ACCORDANCE WITH THE MANUFACTURER'S INSTRUCTIONS AND RECOMMENDATIONS.

NOTES:

1. INSTALLATION TO BE COMPLETED IN ACCORDANCE WITH MANUFACTURER'S SPECIFICATIONS.
2. DO NOT SCALE DRAWING.
3. THIS DRAWING IS INTENDED FOR USE BY ARCHITECTS, ENGINEERS, CONTRACTORS, CONSULTANTS AND DESIGN PROFESSIONALS FOR PLANNING PURPOSES ONLY.
4. ALL INFORMATION CONTAINED HEREIN WAS CURRENT AT THE TIME OF DEVELOPMENT BUT MUST BE REVIEWED AND APPROVED BY THE PRODUCT MANUFACTURER TO BE CONSIDERED ACCURATE.



FILCOTEN TRENCH DRAIN

FILCOTEN TEC V 100 GALVANIZED STEEL RAIL CLASS B ASPHALT PAVEMENT HIDDEN CONCRETE

